



PRODUCT SPECIFICATION

Cleanrooms, laboratories, research facilities, kitchen areas, vivariums, natatoriums

Mounting

Mounts recessed in ceiling via swing brackets that extend and clamp with a single screw action.

Housing

18 gauge cold rolled steel die-formed to shape with seams welded, ground smooth, and caulked airtight.

Door

One-piece 18 gauge cold rolled steel, gasketed and sealed overlapping door. Freedom Hinge™ design permits removal and hinging from either side. Aluminum and stainless steel available.

Lens

K12 prismatic lens installed smooth-side out toward the environment.

Finish

Polyester powder-coated after phosphate pretreatment for superior adhesion and corrosion resistance. Brushed stainless steel door available.

Hardware

Recessed Stainless steel fasteners.

Certifications

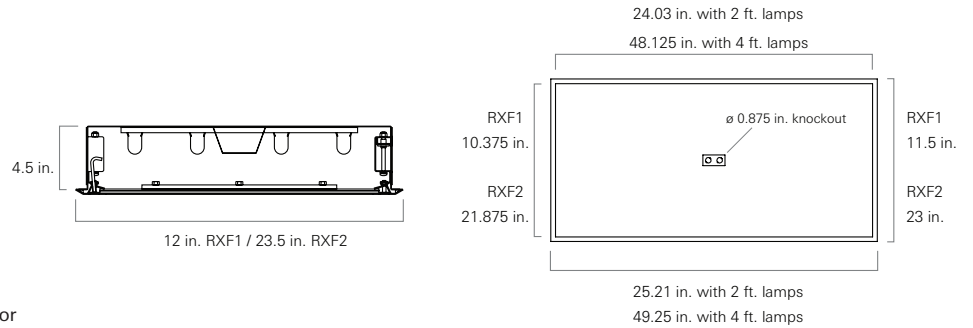
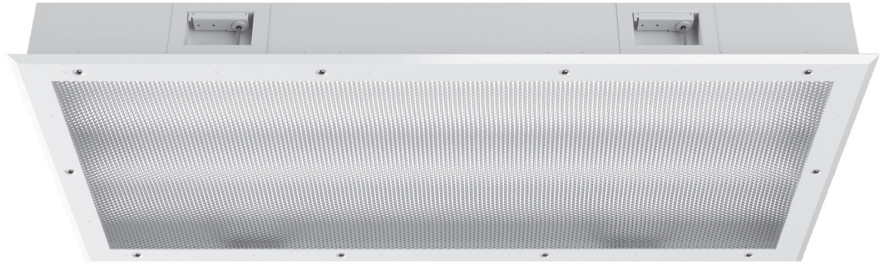
UL Listed wet location, IP65 rated, certified NSF2 for splash/non-food zones (option). Suitable for use in ISO-5 clean rooms (209E Class 100).

Job Name _____

Fixture Type _____

Catalog No. _____

Approval _____ Date _____



- one Luminaire Width**
 - 1 1 ft. - three lamp maximum
 - 2 2 ft.
- two Lamp Quantity**
 - 2 two
 - 3 three
 - 4 four
 - 6 six
- three Lamps (Not Included)**
 - 14 2 ft. 14 W T5
 - 17 2 ft. 17 W T8
 - 24 2 ft. 24 W T5 HO
 - 4B 2 ft. 40 W T5 biax
 - 28 4 ft. 28 W T5
 - 32 4 ft. 32 W T8
 - 54 4 ft. 54 W T5 HO

- four Ballast**
 - DM Dimming
 - EL Electronic Instant Start, std T8
 - PR Program Rapid Start, std T5, option T8
- five Voltage**
 - 120 120 V, 60 Hz
 - 277 277 V, 60 Hz
 - 347 347 V, 60 Hz
 - VAR Variable, 120-277 V, 50/60Hz
- six Door Material**
 - A Aluminum
 - C Cold rolled steel, standard
 - S Stainless steel
- seven Door Finish**
 - R Brushed stainless steel
 - W White

- eight Lens**
 - 12 .125 in. K12 prismatic polycarbonate
 - 15 .156 in. K12 prismatic polycarbonate
 - 53 .125 in. K12 prismatic acrylic
 - 113 .125 in. K12 prismatic acrylic with RFI Grid
- nine Options**
 - 2C Two circuit wired
 - CU Canadian UL Listing
 - E1 One lamp emergency ballast
 - E2 Two lamp emergency ballast
 - FH Fuse and holder
 - NS NSF listing
 - RF Radio interference filter, one per circuit
 - PF Plaster frame
 - AH Painted aluminum housing
 - SH Painted stainless steel housing
 - SB Brushed stainless steel housing
 - TP Stainless steel torx head fasteners
 - NL Night light for 7 W or 9 W PL bipin
 - NL-LED Night light, LED

Modifications are available to meet custom requirements.