



PRODUCT SPECIFICATION

Low profile - 2 in. above ceiling, 2.375 in. O.A. depth.
Cleanrooms, laboratories, research facilities, kitchen areas, vivariums, natatoriums.

Mounting

Ceiling surface mount or recessed in 1 in. T-grid ceiling.
Knockouts for earthquake cable supports provided.

Housing

18 gauge cold rolled steel die-formed to shape with seams welded, ground smooth, and caulked airtight. Aluminum and stainless steel available.

Door

One-piece 18 gauge cold rolled steel, gasketed and sealed overlapping door. Aircraft cables connect door to housing. Aluminum and stainless steel available.

Lens

K12 prismatic lens installed smooth-side out towards the environment.

Finish

Polyester powder-coated after phosphate pretreatment for superior adhesion and corrosion resistance. Brushed stainless steel available.

Hardware

Stainless steel fasteners.

Certifications

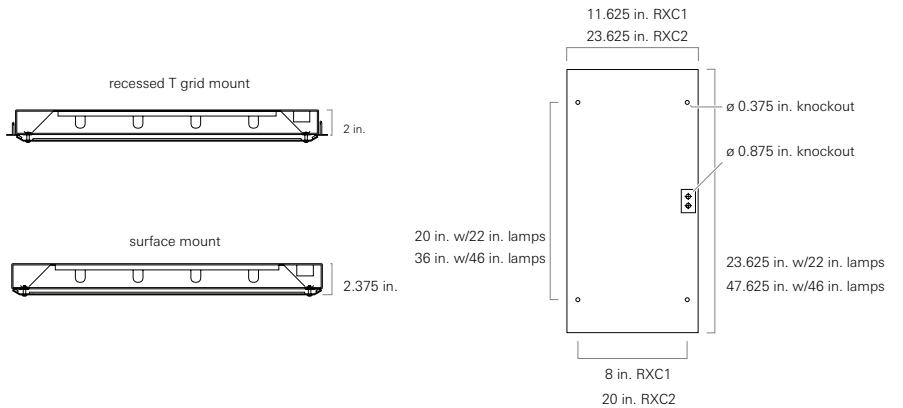
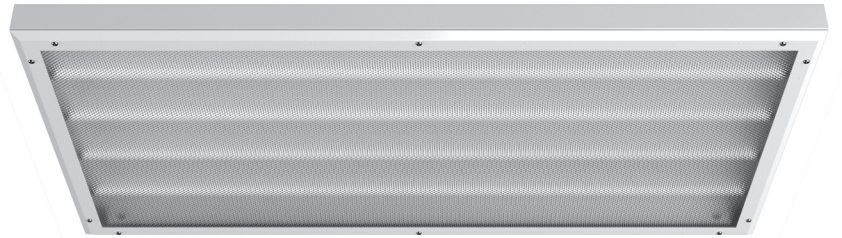
UL Listed wet location, IP66 rated and certified NSF2 for splash/non-food zones (option). Suitable for use in ISO 5 rated cleanrooms (209E Class 100).

Job Name _____

Fixture Type _____

Catalog No. _____

Approval _____ Date _____



- one Luminaire Width**
 - 1 1 ft., three lamp maximum
 - 2 2 ft.
- two Lamp Quantity**
 - 2 two
 - 3 three
 - 4 four
- three Lamps (Not Included)**
 - 14 2 ft. 14 W T5
 - 28 4 ft. 28 W T5
 - 54 4 ft. 54 W T5 HO
- four Ballast**
 - DM Dimming
 - PR Program Rapid Start (Standard)

- five Voltage**
 - 120 120 V, 60 Hz
 - 277 277 V, 60 Hz
 - 347 347 V, 60 Hz
 - VAR Variable, 120-277 V, 50/60Hz
- six Material**
 - A Aluminum
 - C Cold rolled steel, standard
 - S Stainless steel
- seven Finish**
 - R Brushed stainless steel
 - W White
- eight Lens**
 - 12 .125 in. K12 prismatic polycarbonate
 - 15 .156 in. K12 prismatic polycarbonate
 - 53 .125 in. K12 prismatic acrylic
 - 113 .125 in. K12 prismatic acrylic with RFI Grid

- nine Options**
 - CU Canadian UL Listing
 - E1 One lamp emergency ballast
 - FH Fuse and holder
 - NS NSF listing
 - RF Radio interference filter, one per circuit
 - TP Stainless steel torx head fasteners
- Options for grid mount:**
 - AH Painted aluminum housing
 - SH Painted stainless steel housing
 - SB Brushed stainless steel housing

Modifications are available to meet custom requirements.