

# MSG Series Fluorescent Light Fixture

The MSG Series is designed for wall mounted use along hallways or wherever headroom is limited.



**Housing** Die formed marine grade aluminum housing with continuously welded seams.

**Lens** Prismatic acrylic diffuser.

**Lens frame** Marine grade aluminum frame with a full length hinge on one side and with two spring loaded quarter turn fasteners for easy access to lamps and maintenance of the fixture.

**Finish** White powder coat polyester finish with phosphate pretreatment to ensure superior adhesion.

**Ballast** Standard universal 120-277 VAC, 50/60 Hz, electronic ballast (consult factory for other options).

### Features

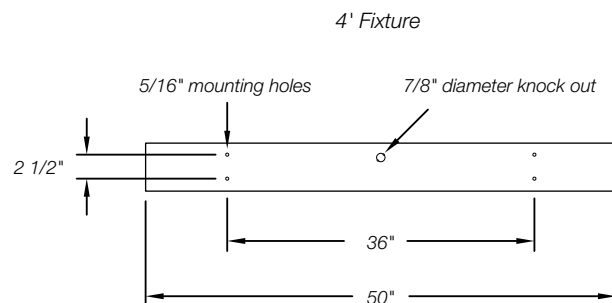
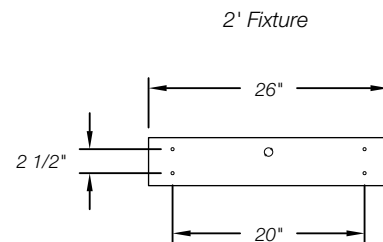
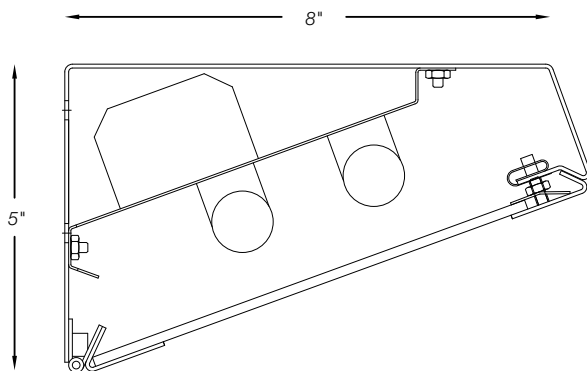
- » Drip-proof
- » UL 1598A marine
- » USCG-ABS
- » 2 or 4 ft. fixture lengths
- » One or two lamp combinations
- » IP 54

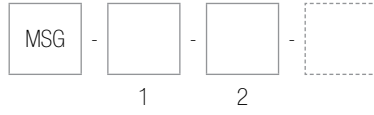
### Applications

- » Hallways
- » Work stations
- » Passageways
- » Engine rooms

**Dimensions** *dimensions and specifications subject to change without notification*

Weight: 4 ft. with electronic ballast = 16 lbs. (7.3 kg)  
2 ft. with electronic ballast = 11 lbs. (5.0 kg)





**1 Lamp type**

17	17W T8 (2 ft.)
28	28W T5 (4 ft.)
32	32W T8 (4 ft.)

**2 Lamp quantity**

1	One
2	Two

**Options**

E1	One lamp emergency service
E2	Two lamp emergency service