



**intent**

The ML290 series is designed for lighting small and awkward spaces in seaborne vessels and offshore platforms.

**mounting**

Surface mounts to ceilings and walls.

**light source**

One high output, six count LED board, available in white, cyan, and red.

**lens**

A single 0.25 in. thick acrylic lens sealed watertight against a closed cell neoprene O ring gasket.

**housing**

Made from cast aluminum.

**finish**

Polyester powder coated after phosphate treatment for superior adhesion and corrosion resistance.

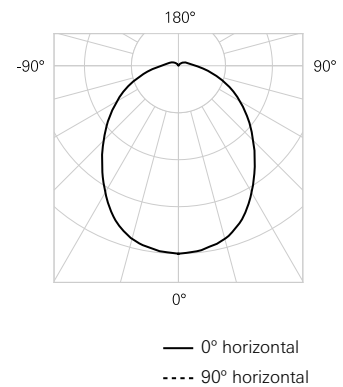
**weight (less cable)**

1.25 lb. (0.57 kg) each.

**certifications**

IP 67 rated. USCG ABS approved.

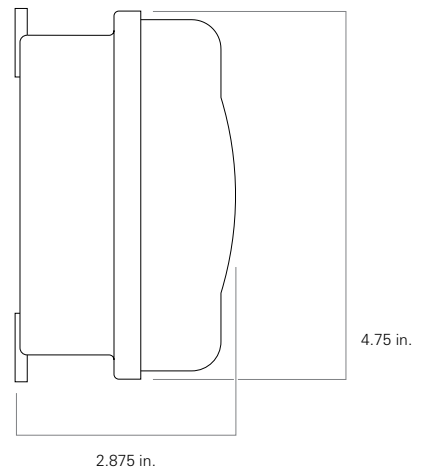
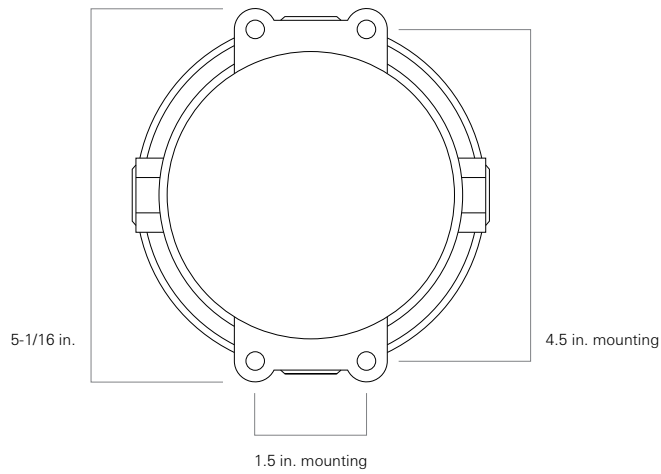
**photometric distribution**



# ML290

marine  
surface mount

LED  
ceiling and wall



<div style="border: 1px solid black; padding: 2px; display: inline-block;">ML290</div> - <div style="border: 1px solid black; width: 30px; height: 20px; display: inline-block;"></div> - <div style="border: 1px solid black; width: 30px; height: 20px; display: inline-block;"></div> - <div style="border: 1px solid black; width: 100px; height: 20px; display: inline-block;"></div>	<p><b>one</b></p> <p><b>two</b></p> <p><b>three</b></p> <p><b>four</b></p>	<p><b>one</b></p> <p>P W</p> <p><b>two</b></p> <p>W C R</p>	<p><b>lens</b></p> <p>clear prismatic white acrylic</p> <p><b>LED color</b></p> <p>white cyan red</p>	<p><b>three</b></p> <p>24DC 120</p> <p><b>four</b></p> <p>TS</p>	<p><b>light source</b></p> <p>12.6 W LED, 24 V DC 20.0 W LED, 120 V AC, <u>only available in white</u></p> <p><b>options</b></p> <p>toggle switch</p>
--	--	---	---	--	---