



M205-LED

Marine Surface Mount Low Profile **LED**

PRODUCT SPECIFICATION

The M205 Series is designed for commercial marine and wet location surface mount ceiling applications. The design is drip-proof and easy to install and service.

Mounting

Surface-mounts to ceilings

Light Source

LED

Lens

One-piece 5/32 in. prismatic polycarbonate lens

Housing

One-piece low profile aluminum housing with a liquid tight cord grip.

Finish

Polyester powder-coated after phosphate pretreatment for superior adhesion and corrosion resistance.

Weight

4 ft. luminaire: 6.8 lb. (3.1 kg)
2 ft. luminaire: 4.1 lb. (1.9 kg)

Certifications

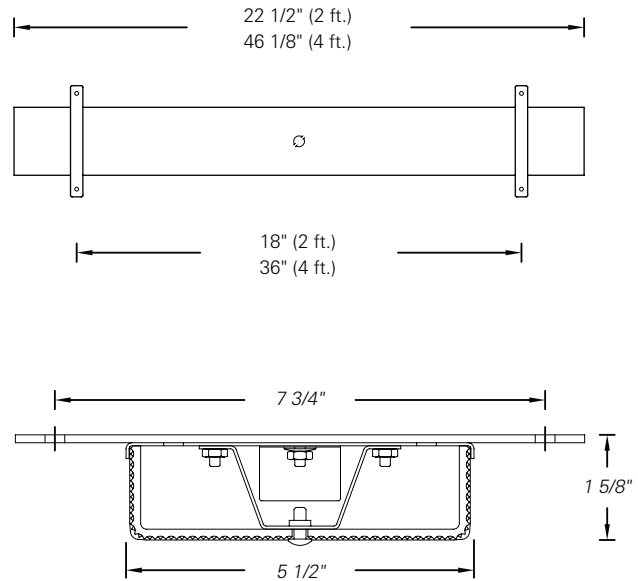
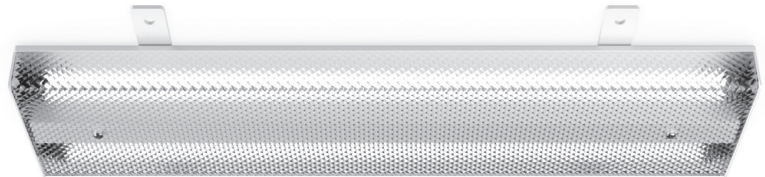
IP 55 rated. USCG ABS approved.
UL 1598A marine listed.

Job Name _____

Fixture Type _____

Catalog No. _____

Approval _____ Date _____



one LED Rows
2 2 LED Rows

two Light Source
L24/40 2-ft LED, 28W, 4000K
L48/40 4-ft LED, 57W, 4000K

Modifications are available to meet custom requirements.