



LPC-LED

High Abuse Surface Mount **LED** Linear

PRODUCT SPECIFICATION

The LPC series is designed for general purpose lighting in high abuse environments. For a surface mount conduit fixture of similar design, see our LPS series.

Mounting

Surface mounts to ceiling or walls.

Lens

Vandal resistant, injection molded, UV stabilized, prismatic polycarbonate lens completely encloses the back-plate.

Backplate

16 gauge cold rolled steel die formed to shape with seams welded and ground smooth.

Finish

Polyester powder-coated after phosphate pretreatment for superior adhesion and corrosion resistance.

Hardware

Stainless steel, tamper-proof fasteners.

Driver

0-10Vdc dimming, Range 10%-100%
-40°C Min. starting temperature, >0.9 PF, <20% THD

Wiring

Driver provided with pre-wired 3-wire self-aligning input power quick disconnect and 2-wire quick disconnect to LED module.

Certifications

UL Listed wet location. IP53 rated. Covered ceilings only.

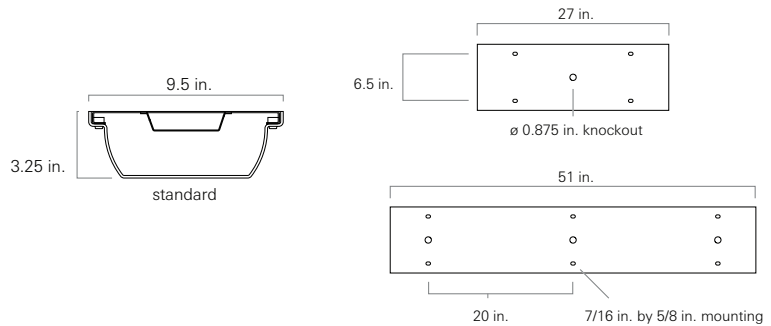
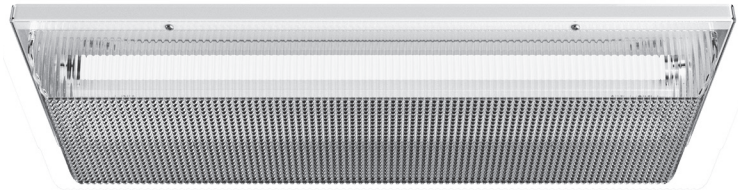


Job Name _____

Fixture Type _____

Catalog No. _____

Approval _____ Date _____



one Luminaire Size

- 2 2 ft. fixture
- 4 4 ft. fixture

two LED Rows

- 1L One
- 2L Two

three Color Temperature

- 35 3500K
- 40 4000K
- 50 5000K

four Voltage

- 120 120 V, 60 Hz
- 277 277 V, 60 Hz
- VAR Variable, 120-277 V, 50/60Hz

five Driver

- DM 0-10VDC Dimming, standard

six Fasteners

- AP Stainless steel allen head with pin
- TP Stainless steel torx head with pin
- PH Phillips, non-security

seven Electrical Access

- A 2.250 in. diameter access hole
- K 0.875 in. diameter knockout(s), standard

eight UL Listing

- D Damp and dry location
- W Wet location

nine Options

- SO Specified output*
- 2C Two-circuit wired
- CU Canadian UL Listing
- EM Emergency battery backup
- FH Fuse and holder
- NL-LED Night light, LED

* Indicated as SO(xx/xxxx). Specified output, Input watts / delivered lumens to be determined based on specified requirements.

Modifications are available to meet custom requirements.

Photometric Data for a 4-ft fixture (Full Output)

Lumens	Input Watts	Lumens / Watt	CCT	CRI	LED Life
10550	106.4 watts	99	4000K	>80	>100,000

Coefficients of Utilization - Zonal Cavity Method

Effective Floor Cavity Reflectance: 20%

RCC %:	80				70				50			30			10			0
RW %:	70	50	30	0	70	50	30	0	50	30	20	50	30	20	50	30	20	0
RCR: 0	1.17	1.17	1.17	1.17	1.14	1.14	1.14	.93	1.07	1.07	1.07	1.01	1.01	1.01	.96	.96	.96	.93
1	1.06	1.01	.96	.92	1.02	.98	.93	.76	.92	.89	.85	.87	.84	.82	.82	.80	.78	.75
2	.96	.87	.80	.74	.93	.85	.78	.63	.80	.74	.70	.76	.71	.67	.72	.68	.64	.62
3	.87	.76	.67	.61	.84	.74	.66	.53	.70	.63	.58	.66	.61	.56	.63	.58	.54	.52
4	.80	.67	.58	.51	.77	.65	.57	.46	.62	.55	.49	.59	.53	.48	.56	.51	.46	.44
5	.73	.60	.51	.44	.70	.58	.50	.39	.55	.48	.42	.53	.46	.41	.50	.45	.40	.38
6	.67	.54	.45	.38	.65	.52	.44	.35	.50	.42	.37	.48	.41	.36	.45	.40	.35	.33
7	.62	.49	.40	.33	.60	.47	.39	.31	.45	.38	.32	.43	.37	.32	.41	.36	.31	.29
8	.58	.44	.36	.30	.56	.43	.35	.27	.41	.34	.29	.40	.33	.28	.38	.32	.28	.26
9	.54	.41	.32	.27	.52	.40	.32	.25	.38	.31	.26	.37	.30	.25	.35	.29	.25	.23
10	.51	.37	.29	.24	.49	.37	.29	.22	.35	.28	.23	.34	.28	.23	.33	.27	.23	.21

LPC-LED 4-ft - Polar Candela Distribution (Full Output)

